

# Product data sheet

## Characteristics

# 8910DPA12V09

Contactor, Definite Purpose, 20A, 2 pole, 3 HP at 230 VAC, 1 phase, 208/240 VAC 60 Hz 220 VAC 50 Hz coil, open



Product availability: Stock - Normally stocked in distribution facility

Price\*: 68.25 USD



### Commercial status

This Product is Obsolete : JUL 09, 2021

This Product is Obsolete

### Main

Product or component type	Definite Purpose Contactor
Line Rated Current	20 A
Poles description	2P
Pole contact composition	2 NO
Range of product	DPA

### Complementary

Maximum Horse Power Rating	3 Hp 230 V AC, 1 phase 1.5 Hp 115 V AC, 1 phase
Locked rotor rated current	100 A 460 V AC 80 A 575 V AC 120 A 277 V AC
[Ue] rated operational voltage	600 V AC
[Uc] control circuit voltage	208...240 V AC 60 Hz 220 V AC 50 Hz
Phase	1 phase
Electrical connection	Quick connect terminals Binder head

### Environment

Product certifications	UL Recognized CSA
------------------------	----------------------

## Ordering and shipping details

Category	21341 - 8910 DPA 1_(20 AMP)
Discount Schedule	CP1B
GTIN	00785901849803
Nbr. of units in pkg.	1
Package weight(Lbs)	15.20 Oz (430.913 g)
Returnability	Yes
Country of origin	CN

## Packing Units

Unit Type of Package 1	PCE
Package 1 Height	3.20 In (8.128 cm)
Package 1 width	2.50 In (6.35 cm)
Package 1 Length	3.80 In (9.652 cm)

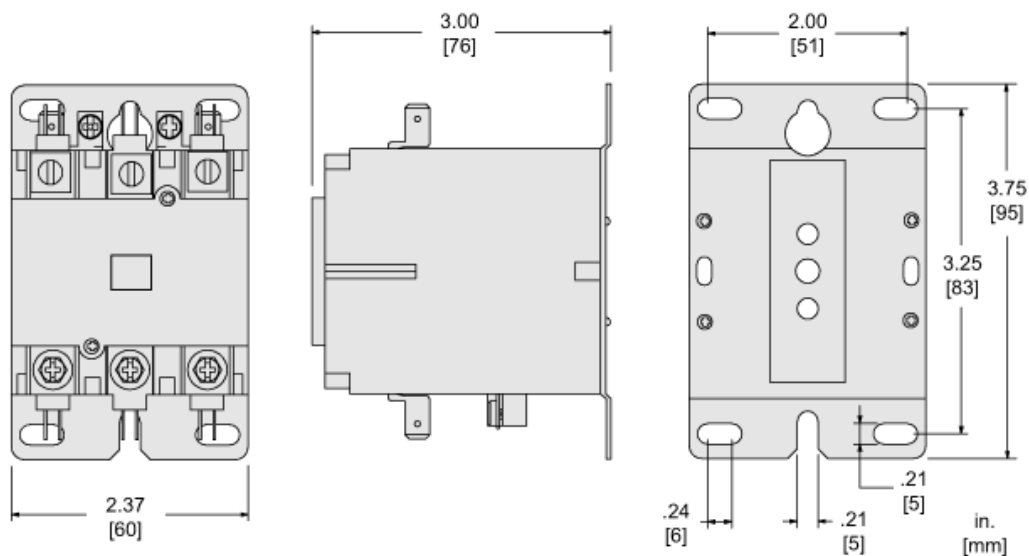
## Offer Sustainability

REACH Regulation	<a href="#">REACH Declaration</a>
EU RoHS Directive	Compliant <a href="#">EU RoHS Declaration</a>
Mercury free	Yes
RoHS exemption information	<a href="#">Yes</a>
China RoHS Regulation	<a href="#">China RoHS Declaration</a>

## Contractual warranty

Warranty	18 months
----------	-----------

## Approximate Dimensions



Product Life Status : **End of commerc. - Block**

8910DPA12V09 may be replaced by any of the following products:



**8910DPA32V09**

Contacteur, Definite Purpose, 30A, 2 pole, 5 HP at 230 VAC, 1 phase, 208/240 VAC 60 Hz 220 VAC 50 Hz coil, open  
Qty 1

Substitution date: |